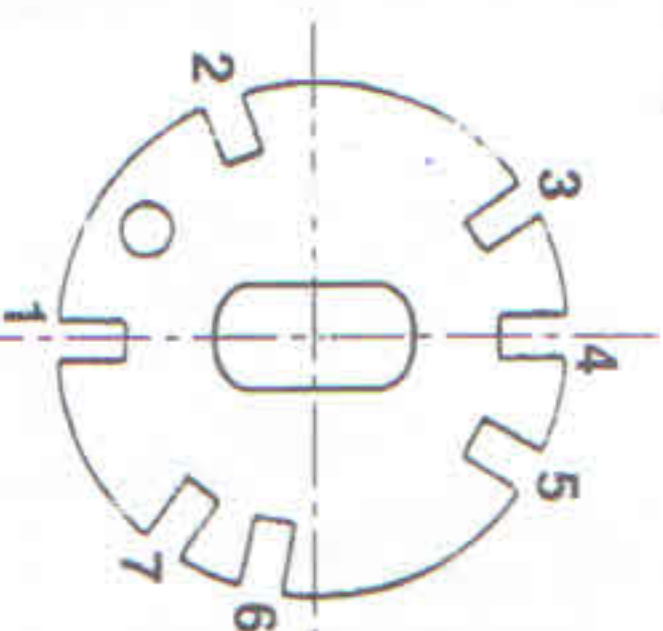


Concrete mixer STAR 150







TECHNICAL DATA		STAR 150
Drum capacity	L	130
Maximum mixing capacity	L	110
Single phase motor 230V/50Hz		
Used power when starting	W	600
Length	mm	1170
Width	mm	710
Height	mm	1400
Wheels	ø mm	200
Weight	kg	54

PRODUCTION OF CONCRETE AND MORTARS



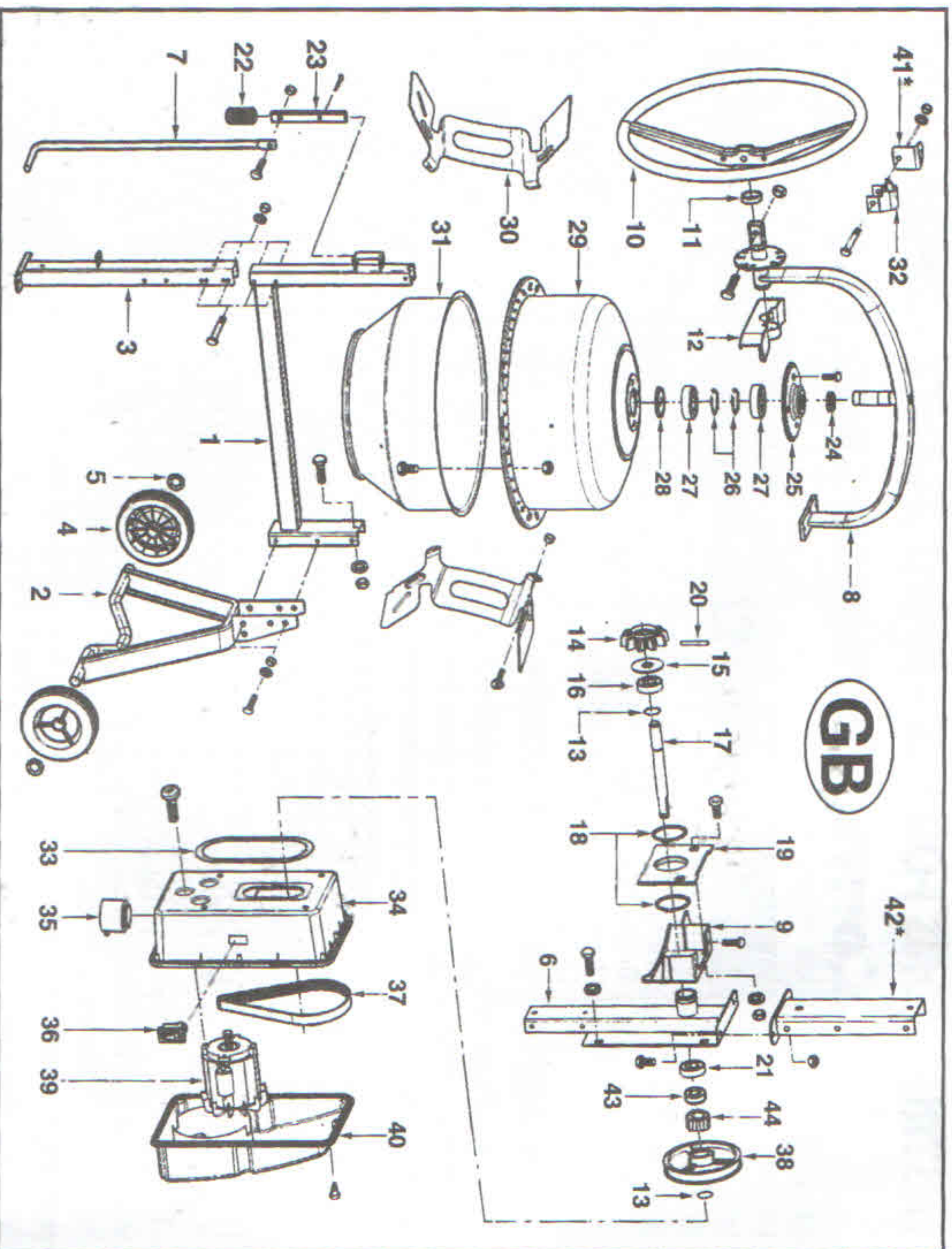
- The tilting disk has 7 different notches
- Position 1 Opening of the drum upward.
 - Position 2 Mixing on left-hand side.
 - Position 3 Emptying on left-hand side and storing.
 - Position 4 Opening of the drum downward.
 - Position 5 Emptying on right-hand side and storing.
 - Position 6 et 7 Mixing on right-hand side.

Batch for usual concrete and mortar (with one 25 kg cementbag).

	Concrete	Sand 	Gravel 	Water 
	30 L	60 L	60 L	around 13 L
	Mortar	60 L	-	around 13 L

- Set the drum at the selected angle (on one side or the other). The angle the nearest to the horizontal will provide a better mixing of the aggregates, but will reduce the capacity.
 - Put some water into the drum, spread the right quantity of cement over the aggregates (gravel or sand), and load the drum. Add some water while loading.
 - The enclosed chart will guide you in the proportions of your works. The quantity of water is given as an indication only ; it will depend on the degree of humidity of the aggregates. These proportions are given as information only, and cannot engage the responsibility of the manufacturer.
 - 1 shovel = 4 litres approx. , 1 wheelbarrow = 60.
 - Let the drum turn during one minute or so, in order to obtain a good mix. Do not continue the mixing beyond two minutes otherwise you will centrifugate the materials.
- The above sizes are for your information and cannot engage the responsibility of the manufacturer.

Test realized with Lafarge Ciments



Reference	Description	Figures
650349	Frame upper part	1 + screws
650350	Mixing drum compl. without bearing	29 + 31 + screws
650351	Mixing blade compl.	30(2) + screws
650352	Foot	3 + screws
650353	Foot	2 + 4(2) + 5(2) + screws
650354	Mixing drum bearing compl.	24 + 25 + 26(2) + 27(2) + 28 + screws
650355	Motor shaft compl.	13(2) + 14 + 15 + 16(2) + 17 + 18(2) + 20 + 21 + 38 + 43 + 44
650356	Pinion guard compl.	19 + 9 + screws
650357	Cover support	6 + screws
650358	Casing lid	40 + screws
650359	Cover motor compl. without motor	33 + 34 + 40 + screws
650360	Plug	35
650361	Interruptor	36
650362	Motor 230V/50Hz	39
650363	Bracket compl.	8 + 12
650364	Steering wheel compl.	10 + 11 + 32 + screws
650365	Locking system compl.	7 + 22 + 23 + screws
401694	Belt PJ711	37
401636	Wheel Ø 200 mm	4 + 5

* 41 and 42, for transport only.



■ INSTALLATION

Install the mixer on a hard and horizontal soil in order to ensure a good stability to the machine.

Clear the surroundings of the machine from all thing likely to occasion a risk of accident or to impede the operator.

◆ Before starting your mixer make sure that : Electric driven mixer

- The tension of the network is 230 volts on two wires.
- Minimum capacity of the meter should be 5 Amps.
- The motor hood set benefits from double insulation class II.
- Foresee a two wires supply cable having a section of 2,5 mm² for a maximum length of 50 m (equipment class II no need for a ground wire). If length is more than 50 m, foresee a cable with a bigger section.

■ MAINTENANCE

- After each use, clean the inside and the outside of your mixer. If you wash it with a high pressure cleaner, make sure that the water projections do not reach the motor.
- For a good and efficient leaning of the drum, use a shovel of gravels and water.
- Do not forget from time to time to grease the bearing of the bracket, a hole is foreseen for this.
- The bearings of the drum and of the driving axle are greased for life.

- Sound pressure 74 dB(A) to 1 m.

■ MAINTENANCE

The pinion driving the drum is a wearing part of your mixer. In order to avoid any immobilization, it is recommended to foresee a replacement beforehand.

SAFETY INSTRUCTIONS

General

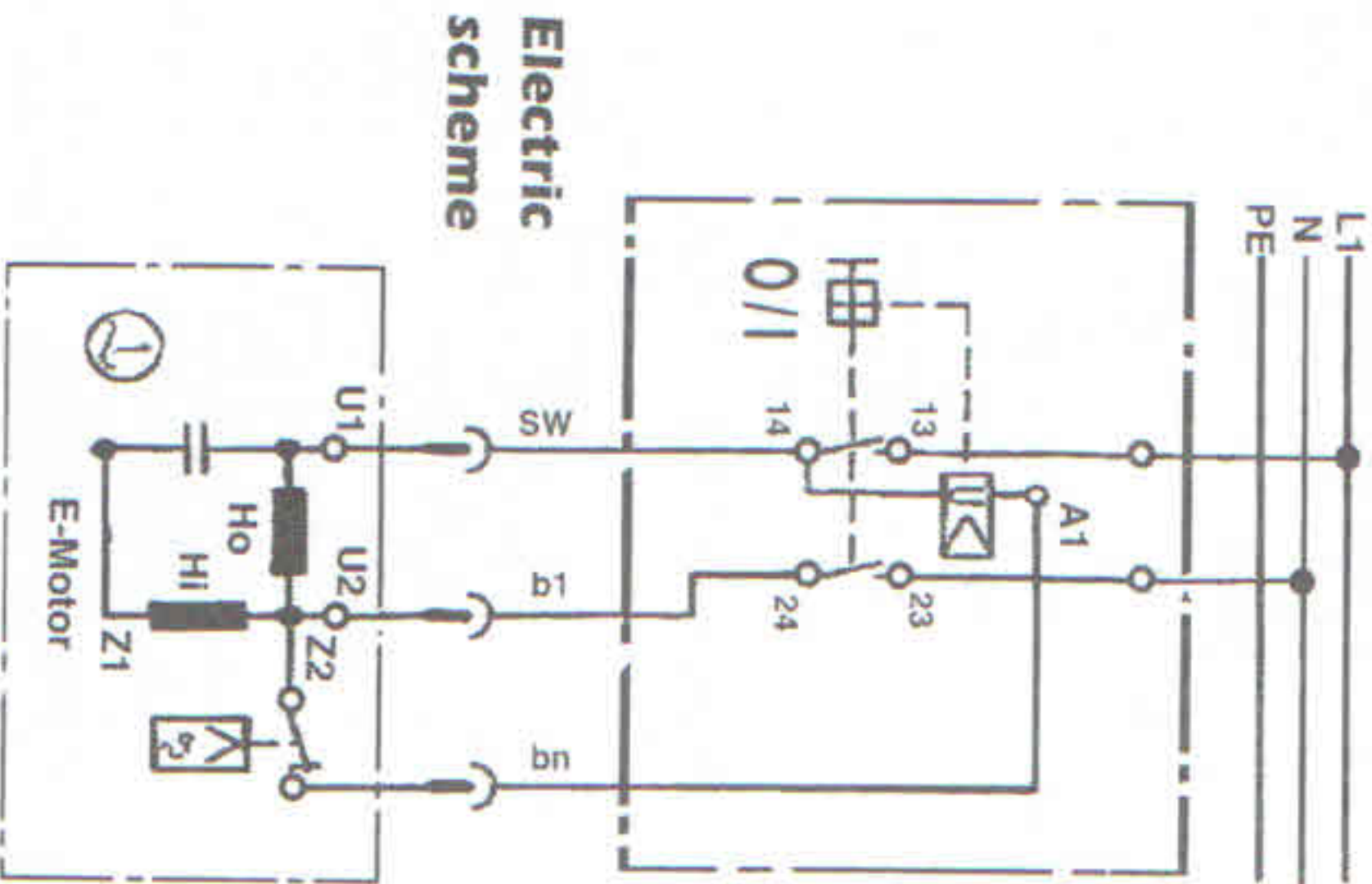
Before starting your mixer, check that :

- all protection devices are in position and good condition.
- Nobody is into contact or close to the mixer, and no tool is leaning against it.
- Never let a cable rolled on its support, this will cause impendant drops of tension and lead to overheating.
- The line must be fitted with fuses or circuit breaker to ensure the protection.
- Do not plug in and use the electric motor without making sure that the motor hood is closed.

SAFETY INSTRUCTIONS

- The operator must wear appropriate shoes and working clothes.
- Do not put hands, head or any tool inside the drum while it is running.
- Never operate the mixer without its protections.
- Never open the hood of the electric motor while the latter is running.
- Stop and unplug your mixer before proceeding to any kind of interventions.
- Use your mixer only to mix materials for construction (any other mixing of chemical or food products is not recommended).
- Never replace a part by a non-genuine one.

Unplug the supply cable before every cover opening. The appliance must be used only when all protections are setting. Be careful ! Doubly insulated machine. During repairs, class II keeps preserved only when origin parts are used and insulation distances remain unchanged.



Electric scheme

■ SPARE PARTS

For all orders, contact the nearest dealer, and specify the type and serial number of your mixer (plate on engine hood). Indicate the quantity, the designation, and the number of the parts you need.

■ MODIFICATION OF THE PRODUCT

With the aim to constantly improve the quality and the efficiency of our products, we reserve the right to modify, at any moment and without prior notice, the product as described hereby.

■ WARRANTY

The manufacturer warranties your mixer for a period of 12 MONTHS as from the date of purchase. This warranty covers the free replacement of the parts which will be acknowledged as defective, as the result of a default in the construction or a default in the material. The manufacturer reserves the right to make a valuation of the defective pieces. No warranty will apply to failures caused by : an improper handling or manoeuvring, a bad use, the use of non genuine spare parts, or a bad maintenance. The warranty of the engines is ensured by the manufacturer of those.

The manufacturer takes no responsibility in the event of failure to respect the safety instructions and utilization rules.