

WINCH SHEET LIFTER



INSTRUCTIONS MANUAL

INTRODUCTION

The winch sheet lift allows one person to lift a drywall panel easily without assistance. The panel can be raised to a maximum height of 3440 mm for attachment to level ceilings-or (with the lift's cradle tilted) to sloped ceilings or side walls. The lift's cradle lowers to 1530 mm off the floor for easy panel loading, and can support up to 54Kgs..

IMPORTANT PRECAUTIONS

BEFORE operating this equipment, thoroughly read this set of instructions, make sure you understand them, and only then follow the step-by-step directions. FAILURE TO READ AND FOLLOW THESE INSTRUCTIONS could result in failure of the equipment. Failure of the equipment while the lift is raised can include a sudden and rapid lowering of the lift and load possibly resulting in serious property damage, serious bodily injury and/or death.

- ▲ **ALWAYS** study these instructions before operating, and pay close attention to all warnings.
- ▲ **Never** use the tool to lift people or animals.
- ▲ **Keep children away.** Children must never be allowed in the work area. Do not let them handle machines, tools or extension cords.
- ▲ **Keep animals away.** Animals can cause damage to or failure of the lift and may result in personal injury.
- ▲ **Keep the work area free of obstructions.** Cluttered areas invite injuries.
- ▲ **ALWAYS** inspect the unit carefully before each day's use (pay special attention to the condition of the cable). Replace at the first sign of wear.
- ▲ **ALWAYS** allow the lift to reach working room temperature(between -20°C~50°C) before use (moving a cold unit into a warm room can cause condensation, which could affect the operation of the winch). ALSO make sure the lifter will not be used in the conditions of bad weather such as strong wind,high air pressure and etc.
- ▲ **NEVER** use the lift if either crossarm support is not secured by its locking spring tab.
- ▲ **ALWAYS** wear a hard hat when operating this lift. ALWAYS watch for overhead obstructions when lifting the drywall panel.
- ▲ **NEVER** lift more than one sheet of drywall at a time.
- ▲ **Do** not overload the lifter capacity (max 54KG).
- ▲ The lift is designed as a wallboard lift and shall be used for no other purpose. The lift is not a personnel lift or platform and shall not be used as such. Using the lift for purposes other than a wallboard lift can subject the unit to stresses and loads that it was not designed to carry.

ASSEMBLY

COMPONENTS

The lift is shipped as several components that must be assembled before use:

- . Tripod base assembly
- . Frame assembly, which includes a winch assembly and telescoping lift sections
- . Cradle assembly, without its detachable crossarms
- . Two cradle crossarm assemblies with extension crossarms





Fig 1. Begin by setting up the tripod base: press down on the slide yoke ring and swing the outer legs out until they lock in the working position (note the holes on the bottom of the slide tube).



Fig 2. To hold the tripod base in position during this procedure set the backstop as shown.



Fig 3. Place the frame assembly on the tripod base.



Fig 4. Make sure the angle of frame assembly is in the angle of tripod base correctly.



Fig 5. When the frame is correctly positioned on the tripod base release the backstop.

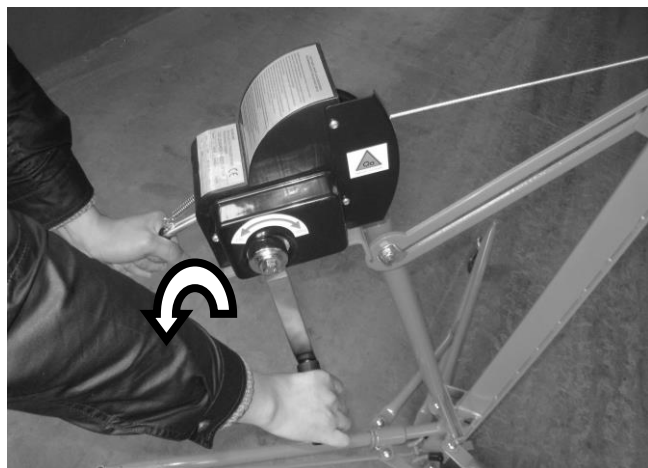


Fig 6. Rotate the handle of the winch backforward (towards you) slightly until the safety plate is in the groove of the slide bar .



Fig 7. Make sure that the safety plate in the socket of the slide bar.



Fig 8. Mount the cradle on top of the telescoping section. Flip out the tilt latch to allow the cradle to tilt for loading and for hanging drywall on sidewalls and sloped ceilings.



Fig 9. Place the tapered plates of the crossarms into the tapered sockets on the cradle. The spring tab on the back of the crossarm will lock it into place.



Fig 10. To extend the outriggers for use, pull out on the outrigger lock pin with your right hand and slide the outrigger out with your left hand as shown. The lock pin will engage at different points on the outrigger. **MAKE SURE** that the lock pins are engaged in one of these positions before loading the unit. Retract the outriggers when storing or transporting the unit.

OPERATING PROCEDURE

IMPORTANT: Read the "Important Precautions" on page 1 before you operate the lift.

SAFETY CHECK BEFORE OPERATION

Before you begin operating the lift each day:

- . Inspect the unit carefully for wear or damage. Pay special attention to the cable.
- . Be sure the lift is at working room temperature before operating.

TO LOAD A DRYWALL PANEL

1. Set (lower) the backstop, so the lift won't roll backward.
2. Swing open the panel support hooks on the two crossarms.
Be sure the cradle is turned so the support hooks are on the opposite side from the winch handle.
3. Extend the crossarm outriggers on the cradle as needed to fully support the length of the drywall panel.
4. Release the tilt latch to tilt the cradle.
5. Hold the drywall panel with its face paper toward the tilted cradle, and load the panel onto the lift as shown. Set the panel onto the support hooks, and carefully lean it against the crossarms.
6. If installing the panel on a flat ceiling, tilt the cradle back up to its level position and lock the tilt latch. If installing the panel on a side wall or a sloped ceiling, leave the cradle tilted.
7. Raise the backstop on the base, and carefully roll the lift close to the position where the panel will be installed.

TO RAISE THE PANEL (see right picture and the warning on winch)

IMPORTANT: Always lower the backstop before raising the panel to a sloped ceiling or a side wall.

Crank the winch handle forward until the panel is at the desired height. The brake will hold the cradle at the desired height when you stop cranking. But need to release the brake to it's natural place first.

TO LOWER THE PANEL

Slowly rotate the winch with your right hand backward to lower the panel, if you want to lower the panel to the desired height, press down the brake, then rotate the winch forward (clockwise) a bit to prevent the panel from lowering suddenly (As the brake piece is out of the gear section when you rotate the winch backward).

MAINTENANCE

- . Inspect the cable before each work day. Replace it at the first sign of wear.
- . Occasionally oil the cable pulleys. Crank up the telescoping sections for access to the internal cable pulley.
- . Occasionally oil the caster bearings.
- . If the telescoping section of the frame don't operate smoothly, apply household paraffin to the sliding surfaces.



WARNING

To avoid serious injury, follow all "Important Precautions," page 1



WARNING

ALWAYS wear a hard hat when operating.



WARNING

To avoid injury:

- . Use **ONLY** for lifting a drywall panel.
- . Lift **ONLY** one panel at a time.

Do not overload the lifter capacity (max 54KG)



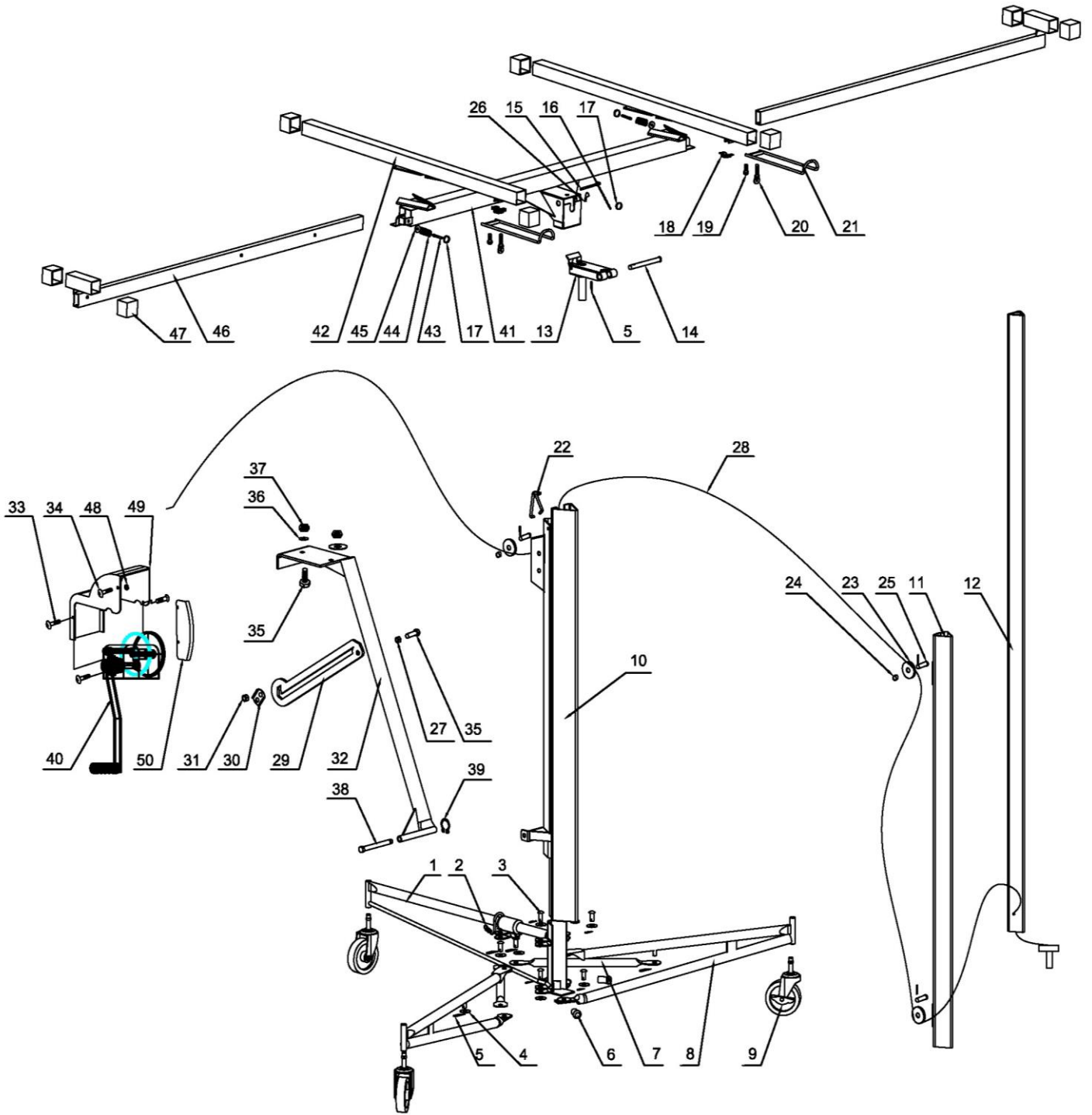
WARNING

To avoid serious injury, watch for overhead obstructions when raising panel.

Brake



PARTS DRAWING



PARTS LIST

PART#	DESC	QTY	PART#	DESC	QTY
1	Tripod base assembly	1	26	R Pin	1
2	Pull Spring	1	27	Nylock Nut M10	1
3	Rivet	6	28	Cable	1
4	Flat Washer Ø12	8	29	Slide Bar	1
5	Split Pin Ø2.5x25	12	30	Safety Plate	1
6	Plastic Foot Cap	2	31	Nylock Nut M12	1
7	Arm	2	32	Winch Support Post	1
8	Leg, outer	2	33	Screw M5x8	4
9	Caster w/brake	3	34	Screw M5x12	1
10	Housing, frame	1	35	Hex Bolt M10x25	3
11	Telescoping section, Outer	1	36	Flat Washer Ø10	2
12	Telescoping section, Inter	1	37	Hex Nut M10	2
13	Body, mounting head	1	38	Long Pin	1
14	Across Pin	1	39	Back Ring Ø10	1
15	Latch ,cradle tilt	1	40	Winch Assy	1
16	Mini Chain	1	41	Body, cradle	1
17	Ring	4	42	Body, crossarm	2
18	Press Plate	2	43	Pin	2
19	Hex Bolt M8x16	2	44	Spring	2
20	Wing Bolt M8x25	2	45	Flat Washer Ø5	2
21	Hook Pole, panel support	2	46	Outrigger Crossarm	2
22	Safety Hook Weldment	1	47	End cap	8
23	Pulley	3	48	Lock Nut M5	1
24	Bearing Ø100	3	49	Safety Cover	1
25	Pulley Pin	3	50	Side cover plate	1